

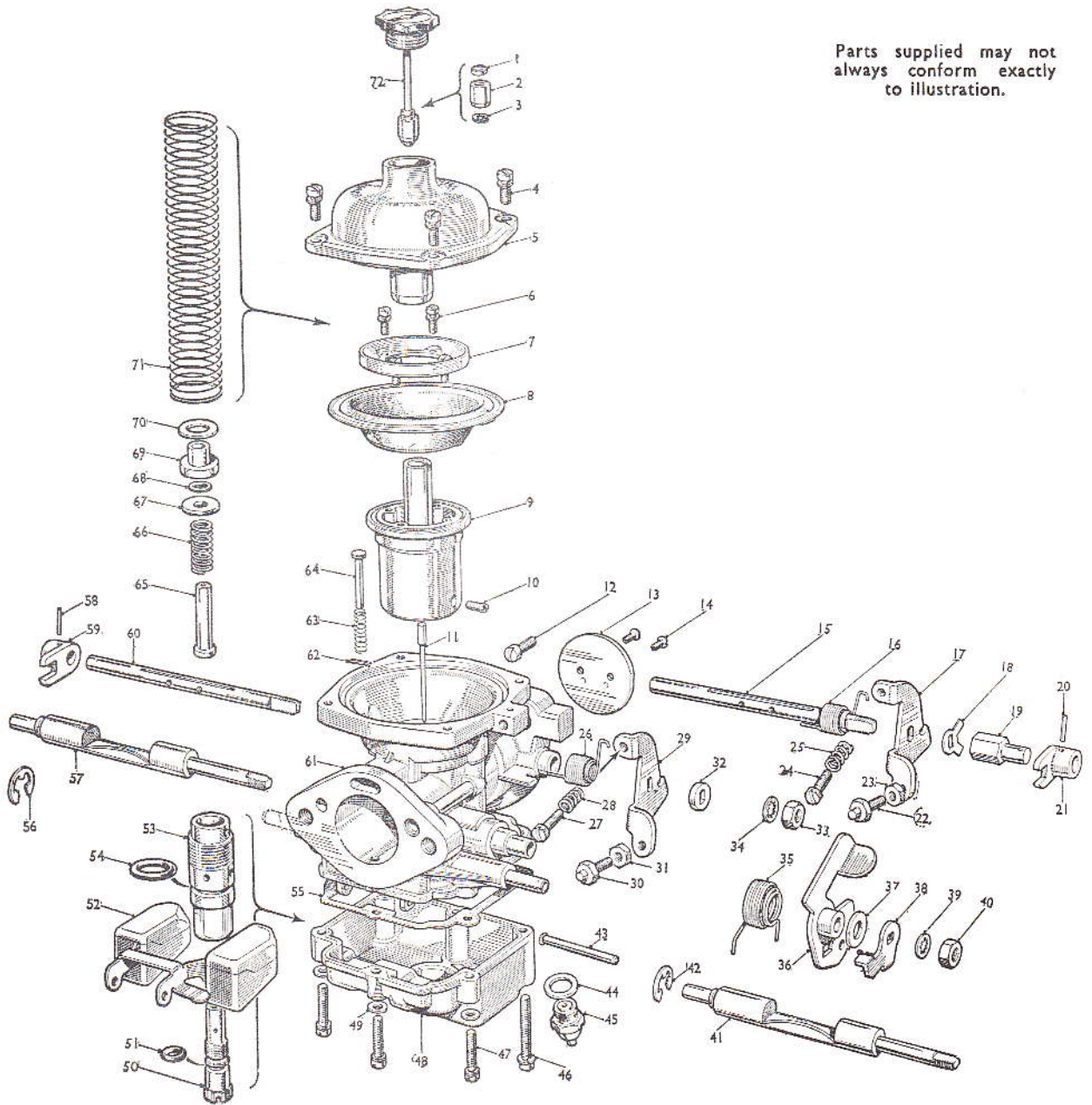
STROMBERG® CARBURETTORS SPARE PARTS SCHEDULE

1964

VOLVO-PENTA AQUAMATIC 110/200

Carburettor	Zenith Ref. †	Volvo Ref.
Two 150 CD	C.1865 Front	819710
	C.1865 Rear	819711

†(Stamped on main body above air intake)



STANDARD SETTING : (both carburettors)

Metering Needle	Air Valve Return Spring	Needle Valve	Fast-idle Interconnection Setting
6B (021101)	020686	1.5 m.m. (1 m.m. washer)	6 half-turns of throttle stop screw or .009" drill at edge of throttle.

(Continued overleaf)
Sheet Ref.: SL. 313
Revised Oct., 1967

SPARE PARTS SCHEDULE (C.1865 front carb.)

Ref.	Description	Part No.	Ref.	Description	Part No.
1	Washer for damper*	B.17632.Z	55	Gasket for floatchamber*	020126
2	Bushing for damper	019640	56	Retaining ring for starter bar*	019656
3	Retaining ring for damper*	019641	57	Starter bar	021063
4	Screw and spring washer fixing cover (4 off)	019654	58	Roll pin	017664
5	Cover and damper assy.	B.18216.Z	59	Throttle coupling lever. Not a service item	see item 60
6	Screw and spring washer fixing diaphragm retaining ring (4 off)	019655	60	Throttle spindle assembly includes item 59	021043
7	Retaining ring for diaphragm	021068	61	Not available as a separate part	
8	Diaphragm	B.16001	62	Clip for air valve lifting pin*	019535
9	Air valve, shaft and diaphragm assembly	021096	63	Spring for air valve lifting pin	B.16831.Z
10	Locking screw for metering needle	019673	64	Air valve lifting pin	B.16826.Z
11	Metering needle	021101	65	Jet orifice	020652
12	Clamping screw for control wire	019659	66	Spring for do.	019506
13	Throttle	020352	67	Washer for "O" ring	019667
14	Screw fixing throttle (2 off)	019595	68	"O" ring*	019657
26	Throttle return spring	020809	69	Bushing for jet orifice	019663
27	Throttle stop screw	B.17573.Z	70	Washer for do.	019664
28	Spring for throttle stop screw	019508	71	Air valve return spring	020686
29	Throttle stop and fast idle lever	021046	72	Damper assembly (includes items 1, 2 and 3) see item 5	B.16911.Z
30	Fast idle screw	021099		Carburetter assembled complete	C.1865F
31	Locknut for do.	019480		For carburetter reference C.1865 (rear carburetter) substitute or use alternative parts as detailed below:-	
32	Replacement washer	018314	15	Throttle spindle assembly includes items 17, 18, 19, 20, 21...	021042
33	Nut for throttle spindle	016411	16	Throttle return spring	020809
34	Shakeproof washer for do.*	016412	17	Throttle stop and fast idle lever	021046
35	Spring for starter bar	019510	18	Tab washer*	019020
36	Choke cam lever assembly	021011	19	Extension nut	020469
37	Not used		20	Roll pin	017664
38	Choke lever	021032	21	Throttle coupling lever. Not a service item	see item 15
39	Shakeproof washer*	016412	22	Fast idle screw	021099
40	Nut	016411	23	Locknut for do.	019480
43	Float fulcrum pin	020794	24	Throttle stop screw	B.17573.Z
44	Washer for needle valve* ... 09619	B.17070.Z‡	25	Spring for do.	019508
45	Needle valve ... 017810		26-34	Inclusive not used	
46	Screw fixing floatchamber (3 off) (long)	B.16265	41	Starter bar	021063
47	Screw fixing floatchamber (3 off) (short)	B.16266	42	Retaining ring for starter bar*	019656
48	Floatchamber	021066	48	Floatchamber	021065
49	Washer for floatchamber screw (6 off)	020102	52	Float and arm	020285
	Spring washer for do. (not shown) (6 off)	021091	56-60	Inclusive not used	
50	Screw for adjusting orifice (includes item 51)	019926		Carburetter assembled complete	C.1865R
51	"O" ring for do.*	016268		Prices on application.	
52	Float and arm	020286			
53	Bushing retaining screw (includes item 54)	B.17406.Z			
54	"O" ring for do.*	019658			

NOTES :

Brief details of carburetters:—

Bore and type	... 1.5" (38 m.m.) horizontal or semi-down draught
Flange	... Oval 45°, 2.69" (68.3 m.m.) centres; clearing holes for $\frac{3}{16}$ " diameter bolts
Throttle	... Opens 85° anti-clockwise, looking on lever
Starting device	... Manual, with fast-idle interconnection; lever pulls 90° anti-clockwise to operate
Fuel inlet connection	... 250" outside diameter tube for plastic petrol pipe.
Automatic ignition-advance connection	Not used
Overall height	... 4"
Air intake connection	Two bolt flange 2.69" centres (68.3 m.m.), tapped holes for $\frac{1}{4}$ "—28 UNF bolts
Ventilation to floatchamber	... Internal
Float height	... 16 m.m. ($\frac{5}{8}$ ")



FOR SERVICE INFORMATION ON THIS CARBURETTER REFER TO BULLETIN SB.211

*Set of gaskets, washers and "O" rings comprising these parts.

Gasket Pack No. 59 (one for each carburetter).

‡ Needle Valve Pack "A", Part No. B.17070.Z

Issued by THE ZENITH CARBURETTER CO., LTD.
HONEYPOT LANE, STANMORE, MIDDLESEX, HA7 1EG, ENGLAND
Manufacturers of Zenith, Solex and Stromberg Carburetters