

STROMBERG® CARBURETTORS

SPARE PARTS SCHEDULE

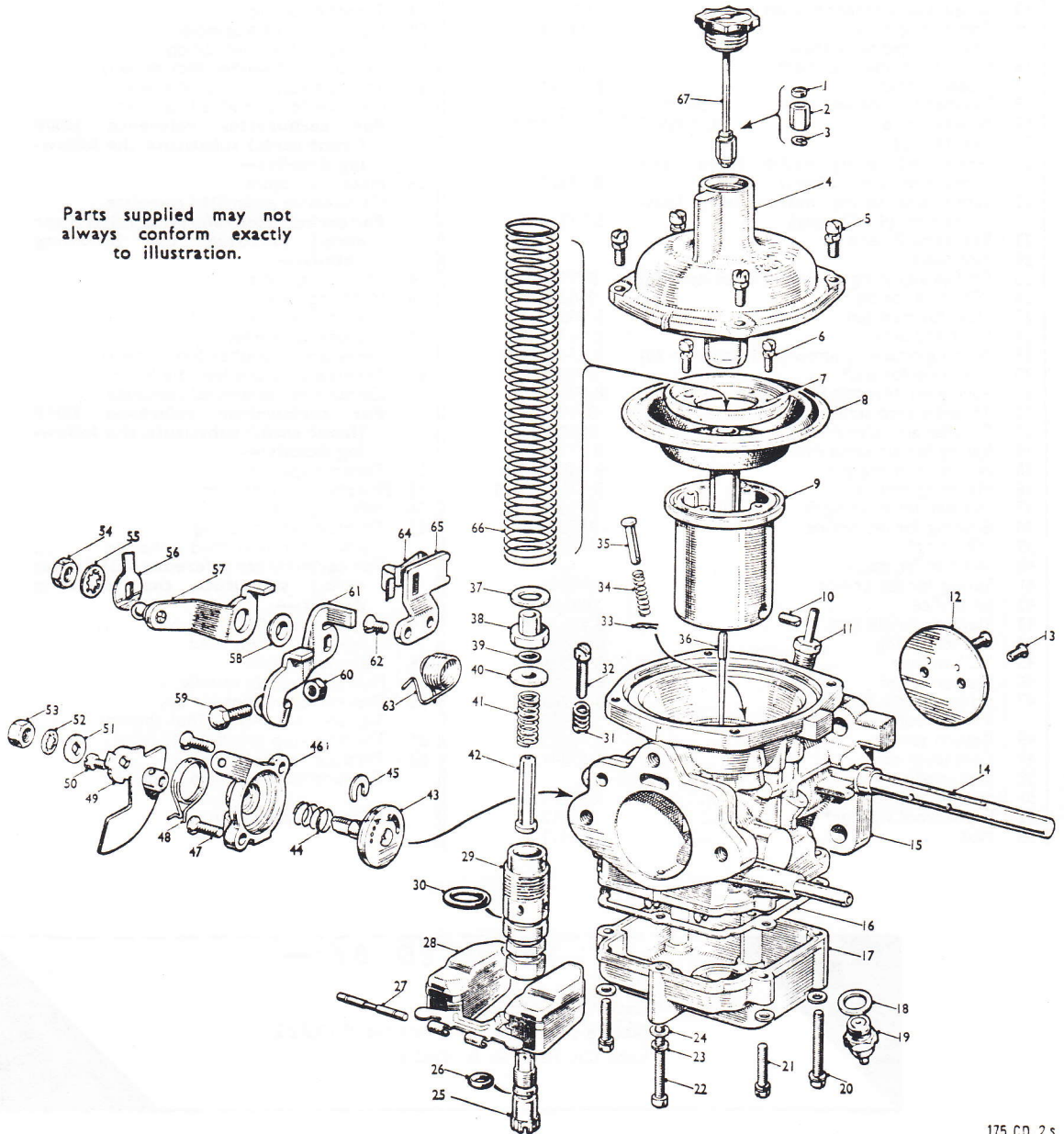
P E N T A

Carburettor	Zenith Ref. †	Penta Ref.
Two 175 CD-2S	3098F	824502
	3098R	824503
	3200F	824541
	3200R	824542
	3231F	824634
	3231R	824635

† (Stamped on carburettor flange)

Aquamatic B.18 Marine	3098
5160 M Marine	3200
5160 M Marine	3231

Parts supplied may not
always conform exactly
to illustration.



175 CD. 2 s

STANDARD SETTINGS : (both carbs.)

Carb. Ref.	Metering Needle	Air Valve Return Spring	Needle Valve	Fast-idle Interconnection Setting	Float Height
3098	B.17645.Z/3B	B.18277.Z/Blue	B.18355.Z/1.5	·40 mm. or No. 78 drill at edge of throttle.	17.5 mm.
3200	B.18946.Z/3D	B.18277.Z/Blue	B.18355.Z/1.5	·70 mm. or No. 70 drill at edge of throttle.	17.5 mm.
3231	B.18946.Z/3D	B.18277.Z/Blue	B.18355.Z/1.5	·70 mm. or No. 70 drill at edge of throttle.	17.5 mm.

(continued overleaf)
Sheet Ref. **SL.373**
Reprinted 1973

SPARE PARTS SCHEDULE (for ref. 3098F, front carb.)

Ref.	Description	Part No.	Ref.	Description	Part No.
1	Washer for damper*	B.17632.Z	54-58 inclusive	Not used	
2	Bushing for damper	019640	59	Fast-idle screw	B.17374.Z
3	Retaining ring for damper*	019641	60	Locknut for do.	L.1003
4	Cover for suction chamber	B.17367.Z	61	Not used	
5	Screw and spring washer fixing cover (4 off)	019654	62	Not used	
6	Screw fixing diaphragm retaining ring (4 off)	B.18008.Z	63	Throttle return spring	B.17651.Z
7	Retaining ring for diaphragm	B.17385.Z	64	Not used	
	Sealing ring (not shown)	B.17386.Z	65	Not used	
8	Diaphragm	B.17421.Z	66	Air valve return spring	B.18277.Z
9	Air valve, shaft and diaphragm assembly (includes items 6, 7, 8)	B.18700.Z	67	Damper assembly (includes items 1, 2 and 3)	B.18508.Z
10	Locking screw for metering needle	019673		Carburettor assembled complete	3098.F
11	Not used			For carburettor reference 3098R (rear carb.) substitute the following details:—	
12	Throttle	019608	14	Throttle spindle	B.17338.Z
13	Screw fixing throttle (2 off)	010351	54	Nut for throttle spindle	L.1475
14	Throttle spindle	B.17339.Z	55	Shakeproof washer for do.	08758
15	Not serviced separately			Replacement washer (not shown)	05660
16	Gasket for floatchamber*	B.16518.Z	61	Throttle stop and fast-idle lever	B.17375.Z
17	Floatchamber	B.17364.Z		Carburettor assembled complete	3098.R
18	Washer for needle valve*	09729		For carburettor reference 3200F (front carb.) substitute the following details:—	
19	Needle valve	B.18355.Z	36	Metering needle	B.18946.Z/3D
20	See item 22			Carburettor assembled complete	3200.F
21	Screw and spring washer fixing float-chamber (2 off) (short)	B.19225.Z		For carburettor reference 3200R (rear carb.) substitute the following details:—	
22	Screw and spring washer fixing float-chamber (4 off) (long)	B.19224.Z	14	Throttle spindle	B.17338.Z
23	See items 21 and 22		36	Metering needle	B.18946.Z/3D
24	Not used			Carburettor assembled complete	3231.F
25	Orifice adjusting screw (includes item 26)	019926		For carburettor reference 3231F (front carb.) substitute the following details:—	
26	"O" ring for do.*	016268	14	Throttle spindle	B.17338.Z
27	Float fulcrum pin	B.18613.Z	36	Metering needle	B.18946.Z/3D
28	Float and arm	B.16772.Z	54	Nut for throttle spindle	L.1475
29	Bushing retaining screw (includes item 30)	B.17407.Z	55	Shakeproof washer for do.	08758
30	"O" ring for do.*	019658		Replacement washer (not shown)	05660
31	Spring for throttle stop screw	B.17368.Z	61	Throttle stop and fast-idle lever	B.17373.Z
32	Throttle stop screw	019532		Carburettor assembled complete	3200.R
33	Clip for air valve lifting pin*	019535		For carburettor reference 3231F (front carb.) substitute the following details:—	
34	Spring for air valve lifting pin	B.17363.Z	14	Throttle spindle	B.19221.Z
35	Air valve lifting pin	B.16826.Z	33-35 inclusive	Not used	
36	Metering needle	B.17645.Z/3B	36	Metering needle	B.18946.Z/3D
37	Washer for bushing for jet orifice	019664	63	Throttle return spring	B.19391.Z
38	Bushing for jet orifice	019663		Carburettor assembled complete	3231.F
39	"O" ring*	019657		For carburettor reference 3231R (rear carb.) substitute the following details:—	
40	Washer for do.	019667	14	Throttle spindle	B.17338.Z
41	Spring for jet orifice	019506	33-35 inclusive	Not used	
42	Jet orifice	019522	36	Metering needle	B.18946.Z/3D
43	Starter spindle assy.	B.16534.Z	54	Nut for throttle spindle	L.1475
44	Starter spring	B.16533.Z	55	Shakeproof washer for do.	08758
45	"C" washer	B.16556.Z		Replacement washer (not shown)	05660
46	Starter cover	B.17359.Z	61	Throttle stop and fast-idle lever	B.19207.Z
47	Screw for do. (2 off)	B.17269.Z	63	Throttle return spring	B.19391.Z
	Shakeproof washer (2 off) (not shown)	L.1402		Carburettor assembled complete	3231.R
48	Return spring	B.17652.Z		Prices on application	
49	Cam lever assy.	B.17341.Z			
50	Not used				
51	Spacing washer	018276			
52	Shakeproof washer*	016412			
53	Nut	016411			

SERVICED BY:—

* Gasket Pack No. 235.Z
 ‡ Needle Valve Pack 'AR', Part No. B.19052.Z
 Lube Oil, Part No. B.18562.Z

FOR SERVICE INFORMATION ON THIS CARBURETTER REFER TO BULLETIN SB.211

PRICE 5p

Issued by THE ZENITH CARBURETTER CO., LTD.
 HONEYPOT LANE, STANMORE, MIDDLESEX, HA7 1EG, ENGLAND
 Manufacturers of Zenith, Solex and Stromberg Carburetters